

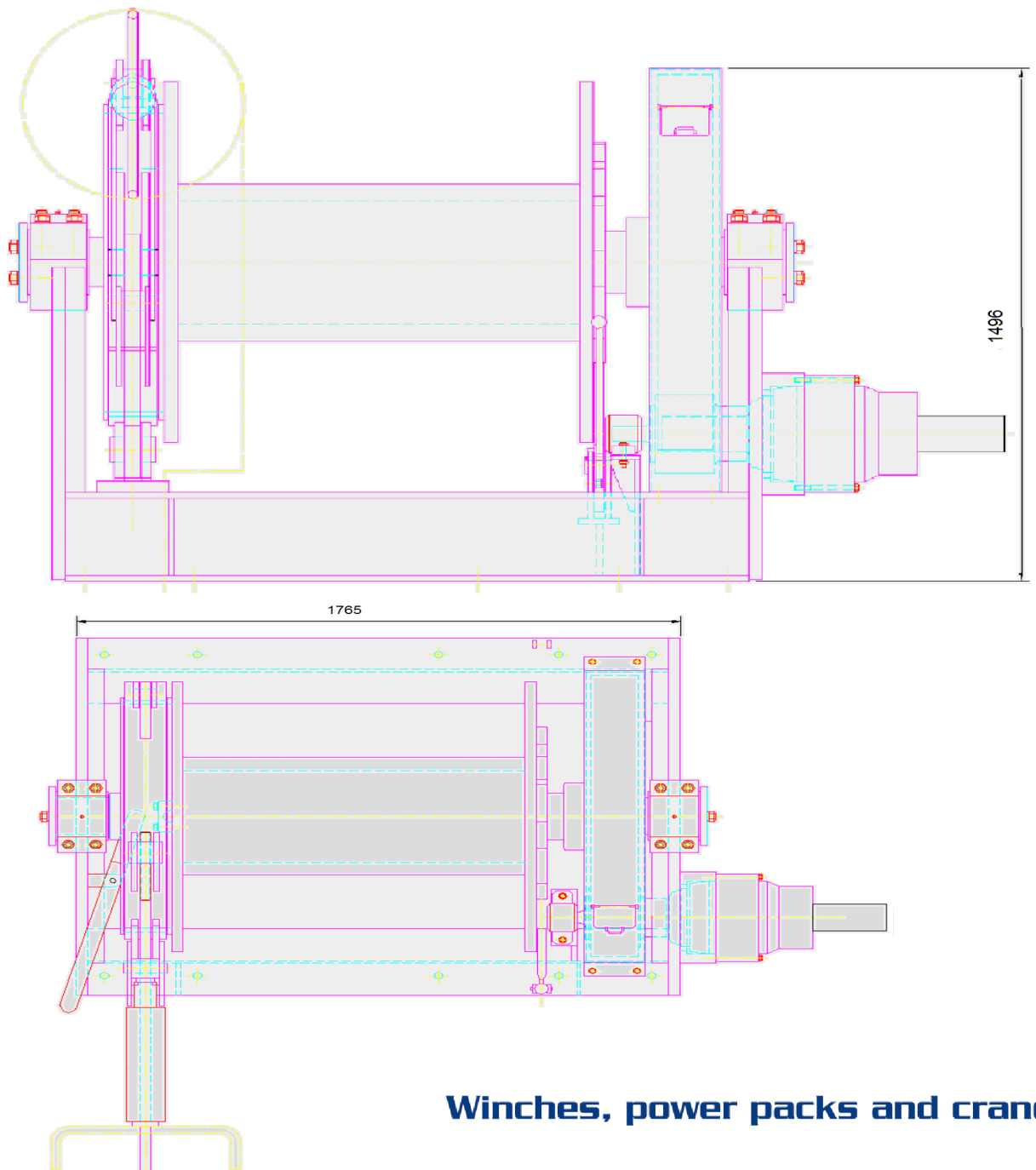


**I & M**  
industrial & marine winch hire

**Winches, power packs and cranes**

## 15 TONNE HYDRAULIC WINCH (IM15T-HEC-78X)

Line Pull Bare (Tonne)	Line Pull Full (Tonne)	Rope Size (mm)	Drum Diameter (mm)	Drum Width (mm)	No. Layers	Rope Speed (m/min)	Rope Capacity (metres)	Oil Flow (Ltr/min)	Oil Pressure (bar)	Power (kW)
20	11	32	457	1000	7	10	500	150	210	60



**Winches, power packs and cranes**

[www.imwinchhire.com.au](http://www.imwinchhire.com.au)

info@imwinchhire.com.au 28 Jessie Lee Street, Henderson Perth, WA 6166 08 9494 7207